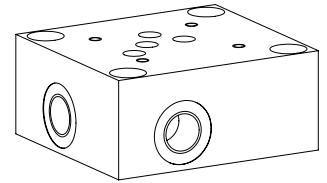


Threaded subplate

Installation in pipes

- ◆ $p_{max} = 350$ bar
- ◆ Connections G1/2"

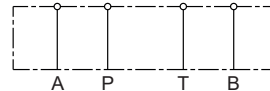
NG10
ISO 4401-05



DESCRIPTION

Threaded subplate with mounting interface for vertical stacking and threaded connection of the connections A, B, P, T.

SYMBOL



TYPE CODE

International standard interface ISO

Threaded subplate

Nominal size 10

Type list

Connections A, B, P, T on the side

S

Connections A, B, P, T at the bottom

U

Connections A, B, on the side and P, T at the bottom

SU

Design index (subject to change)

2.9-40

A G 10 #

GENERAL SPECIFICATIONS

Designation	Threaded subplate
Mounting	Installation in pipes
Nominal size	NG10 according to ISO 4401-05
Weight	3,65 kg (AG10S) 3,75 kg (AG10U) 3,70 kg (AG10SU)

INSTALLATION NOTES

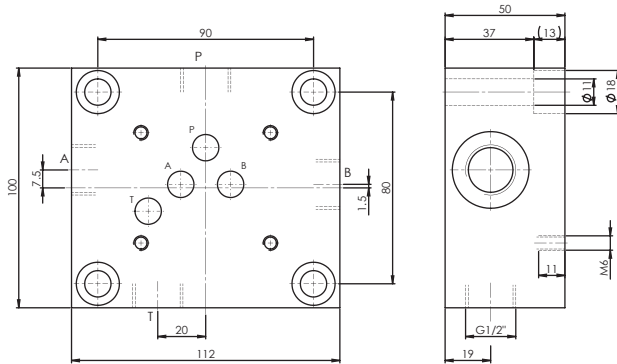
Mounting type	4 fixing holes for M10
Mounting position	Any
Threaded connections	G1/2" in A, B, P, T

SURFACE TREATMENT

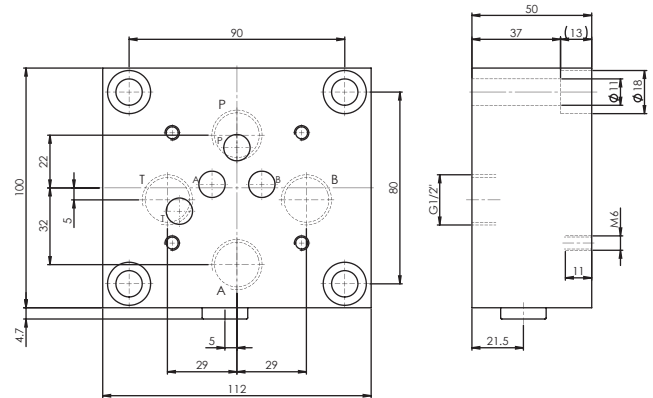
- ◆ The plates made of steel are zinc-nickel coated

DIMENSIONS

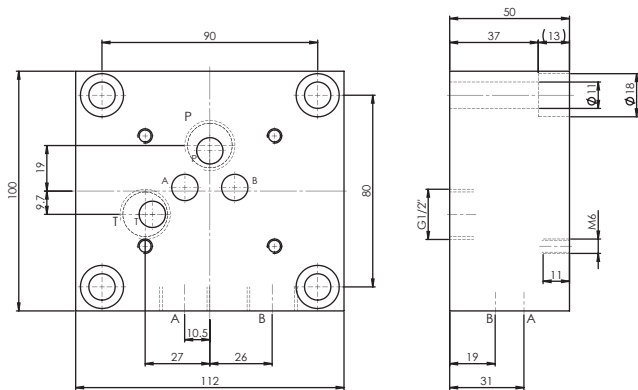
AG10S



AG10U



AG10SU



HYDRAULIC CONNECTION

