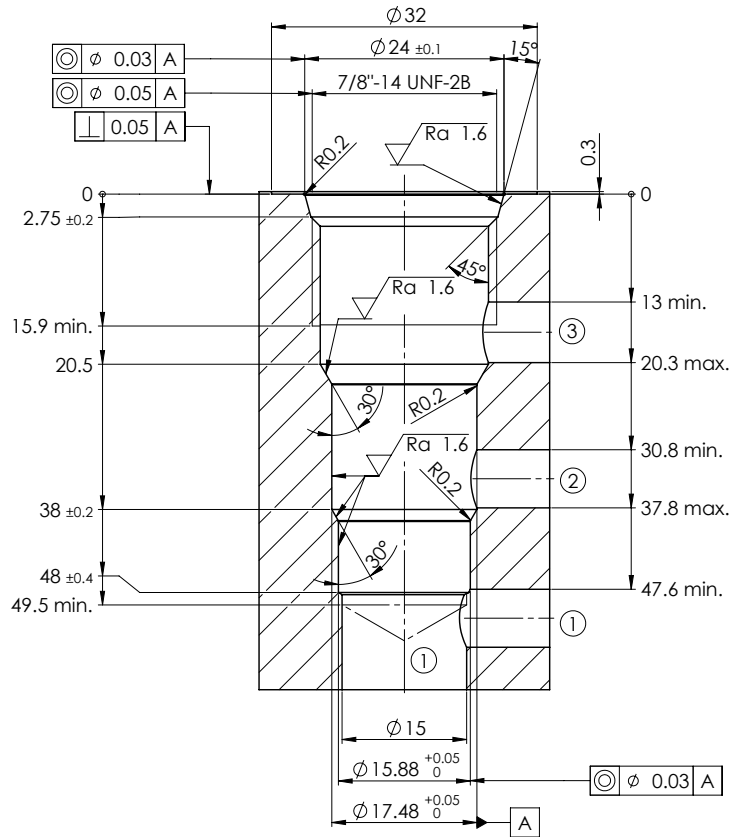
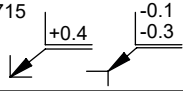
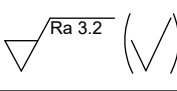


Cartridge cavity 7/8" - 14 UNF

3-way-cavity

(Drawing-no. 1-1344.4)

Edges according to ISO 13715 	Surface texture 	Length dimensions, curves, chamfers Angles Straightness, flatness Perpendicularity, symmetry Radial runout, axial runout Envelope condition acc. to ISO 14405 ☉	Extract general tolerances ISO-2768-1	m	>0,5-3	>3-6	>6-30	>30-120
				mm	±0.1	±0.1	±0.2	±0.3
General tolerances ISO 2768			H	±0.2	±0.5	±1		
			H	Radiuses, chamfer height				

Cavity tools

Denomination:	Article number:	Content:	Article number:
Ecoline 3-way 7/8" - 14 UNF	983.4806	Form drill Form reamer	

Application

Cartridge type:	Data sheet number:	Cartridge type:	Data sheet number:
MVPPU10-...	2.3-672		