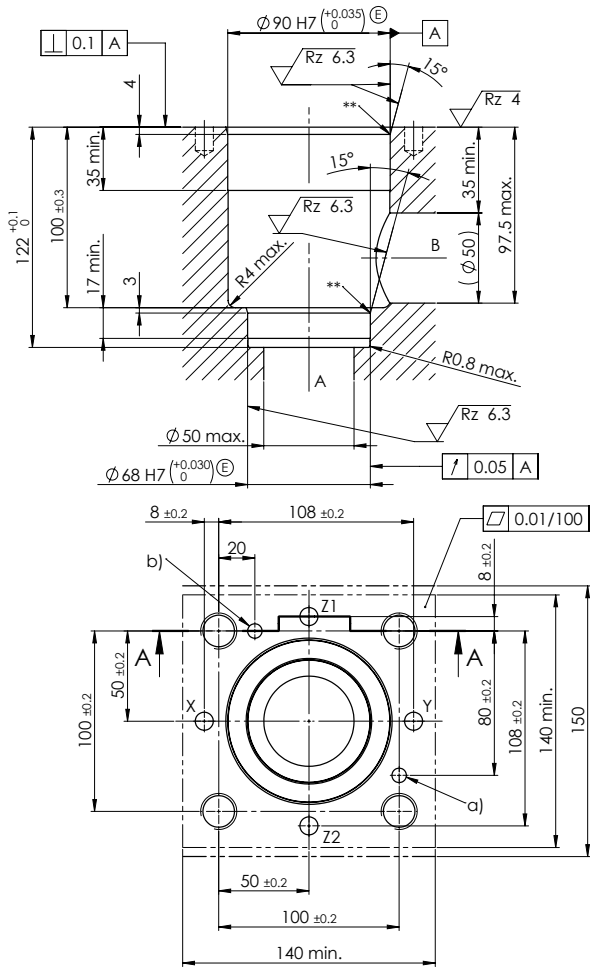


Cavity 2-way built-in valve C.EN50


----- min. support surface for cover
 ----- min. distance for cover with
 min. two slip-in cartridge valves

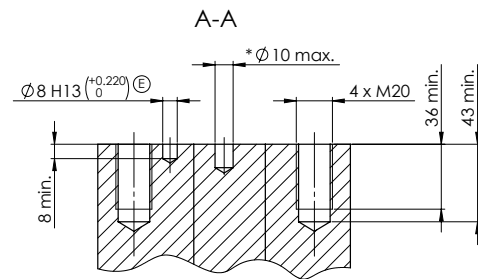
* Control lines X, Y, Z1 and Z2 (Ø10 max.) are drilled only when required

** Rounded burr-free

a) Hole for fixing pin main pressure limitation

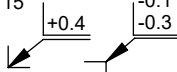
b) Hole for fixing pin other functions

Further information can be found in standard ISO 7368:2016

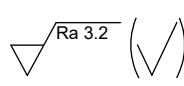


(Drawing-no. 8-005.3)

Edges according to ISO 13715



Surface texture



Length dimensions, curves, chamfers
 Angles
 Straightness, flatness
 Perpendicularity, symmetry
 Radial runout, axial runout
 Envelope condition acc. to ISO 14405 E

General tolerances ISO 2768

Extract general tolerances ISO-2768-1

Nominal dim.	>0,5-3	>3-6	>6-30	>30-120
Linear dim.	±0.1	±0.1	±0.2	±0.3
Radiuses, chamfer height	±0.2	±0.5	±1	

Cavity tools

Denomination:

Article number:

Dismounting tool

DW-C.E.50
 DW-C.50

983.3011
 983.3021

Application

Cartridge type:

Data sheet number:

Cartridge type:

Data sheet number:

C.EN50-...

1.12-255