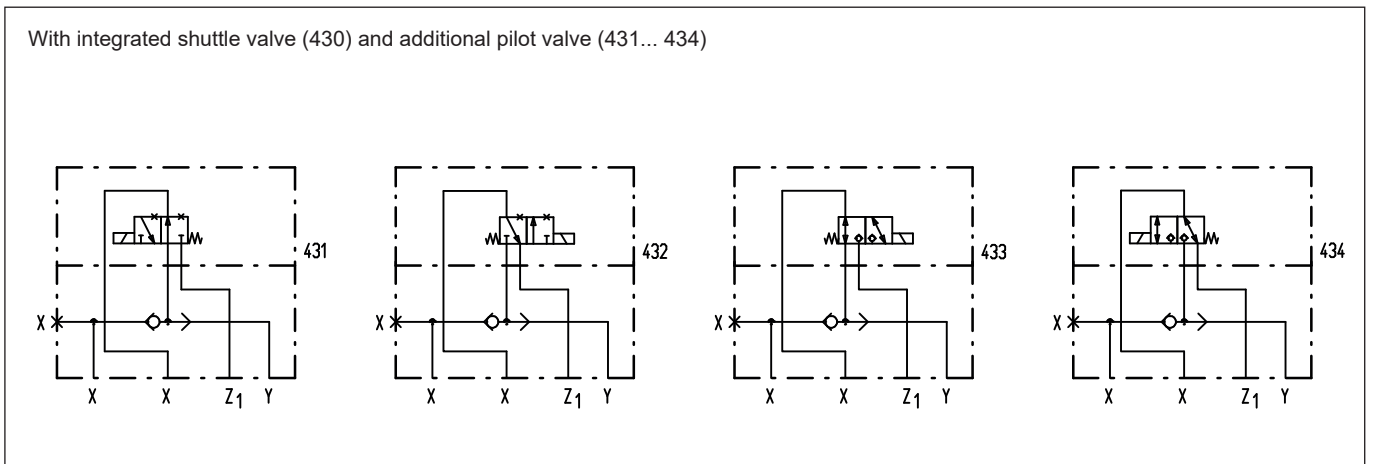
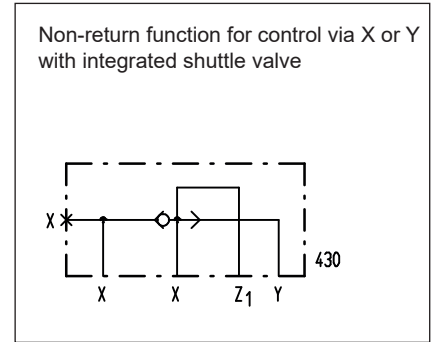
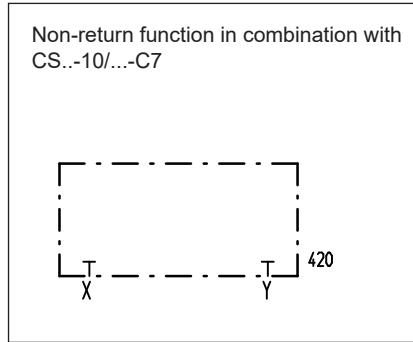
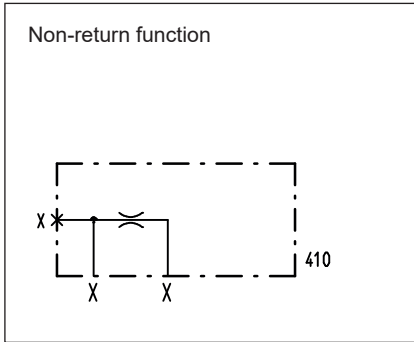


Control cover  
 for check function  
 •  $p_{max} = 350 \text{ bar}$

**NG 25**  
 ISO 7368



### TYPE CODE

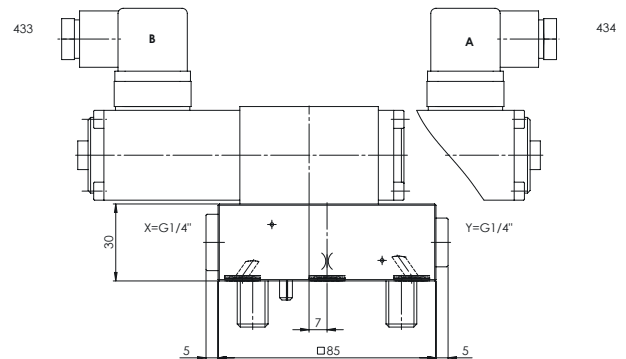
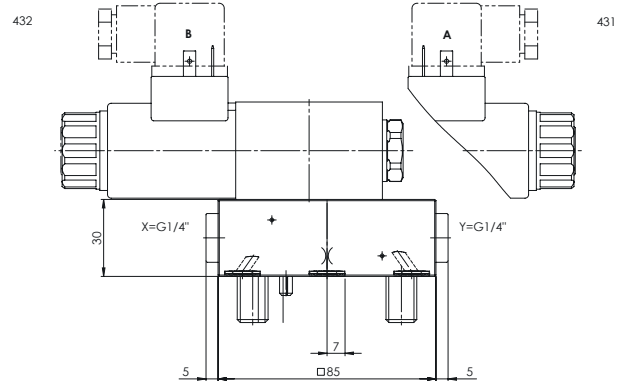
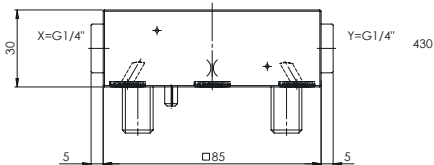
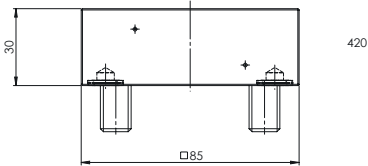
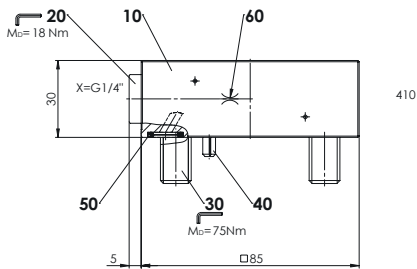
|                                  |        |     |      |                            |      |   |  |   |   |  |
|----------------------------------|--------|-----|------|----------------------------|------|---|--|---|---|--|
| Control cover                    |        |     | D    | 25                         |      | - |  | / | # |  |
| Nominal size 25                  |        |     |      |                            |      |   |  |   |   |  |
| Pilot no. 410...434              |        |     |      |                            |      |   |  |   |   |  |
| Solenoid type for pilot valve    |        |     |      |                            |      |   |  |   |   |  |
| Standard 431, 432                |        |     | M    | .. / VD (only G12 and G24) |      |   |  |   |   |  |
| 433, 434                         |        |     | M    | .. / ND                    |      |   |  |   |   |  |
|                                  |        |     | S    |                            |      |   |  |   |   |  |
| Nominal voltage $U_N$            | 12 VDC | G12 |      | 115 VAC                    | R115 |   |  |   |   |  |
|                                  | 24 VDC | G24 |      | 230 VAC                    | R230 |   |  |   |   |  |
| Orifice in cover                 | 0.6 mm | 0.6 |      |                            |      |   |  |   |   |  |
|                                  | 1.0 mm | 1.0 | etc. |                            |      |   |  |   |   |  |
| Omit if without orifice          |        |     |      |                            |      |   |  |   |   |  |
| Design-Index (Subject to change) |        |     |      |                            |      |   |  |   |   |  |

**GENERAL SPECIFICATIONS**

|                        |   |
|------------------------|---|
| Construction           | Control cover for check function                    |
| Mounting position      | any   |
| Installation dimension | see dimension to ISO 7368 see data sheet 2.13-1022  |
| Ambient temperature    | -25...+70 °C  |
| Fastening torque       | $M_D = 80 \text{ Nm}$ (Qual. 8.8) for fixing screws |

**HYDRAULIC SPECIFICATIONS**

|                          |   |
|--------------------------|---|
| Fluid                    | Mineral oil, other fluid on request   |
| Contamination efficiency | ISO 4406:1999, class 18/16/13<br>(Required filtration grade $\beta_{6...10} \geq 75$ )<br>see data sheet no. 1.0-50/2 |
| Viscosity range          | 12 mm <sup>2</sup> /s bis 320 mm <sup>2</sup> /s  |
| Fluid temperature        | -20...+70 °C  |
| Operation pressure       | $p_{\max} = 350 \text{ bar}$  |

**DIMENSIONS**

**PARTS LIST**

| Position | Article  | Description                           |
|----------|----------|---------------------------------------|
| 10       | 063.1016 | Plate to 410                          |
|          | 063.1006 | Plate to 420                          |
|          | 063.1038 | Plate to 430                          |
|          | 063.1010 | Plate to 431, 432, 433, 434           |
| 20       | 238.2406 | Locking screw VSTI G1/4"              |
| 30       | 246.6136 | Cyl. screw M12x35 DIN912              |
| 40       | 221.2470 | Pin $\varnothing 5 \times 16$ DIN1481 |
| 50       | 160.2092 | O-Ring ID 9,19x2,62                   |
| 60       | 118.2051 | Orifice M5 / 0,6 x 5                  |
|          | 118.2030 | Orifice M5 / 0,7 x 5                  |
|          | 118.2032 | Orifice M5 / 0,8 x 5                  |
|          | 118.2052 | Orifice M5 / 0,9 x 5                  |
|          | 118.2031 | Orifice M5 / 1,0 x 5                  |

**PILOT OPERATED VALVES**

| Pilot operated valves: | Article     | Data sheet         |
|------------------------|-------------|--------------------|
| 431                    | WDMFA04-AB1 | Data sh. 1.2-33    |
| 432                    | WDMFA04-AB2 | Data sh. 1.2-33    |
| 433                    | BS32040b    | Data sh. 1.11-2120 |
| 434                    | BS32041a    | Data sh. 1.11-2120 |