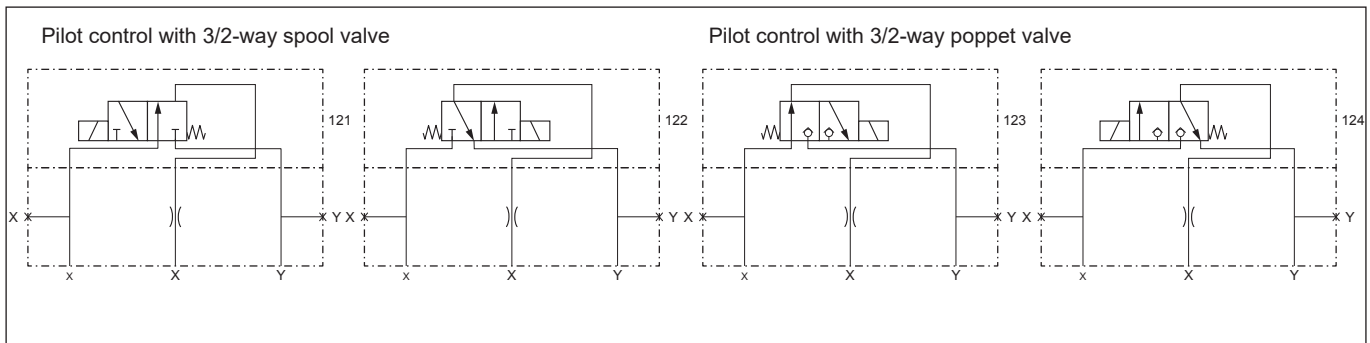
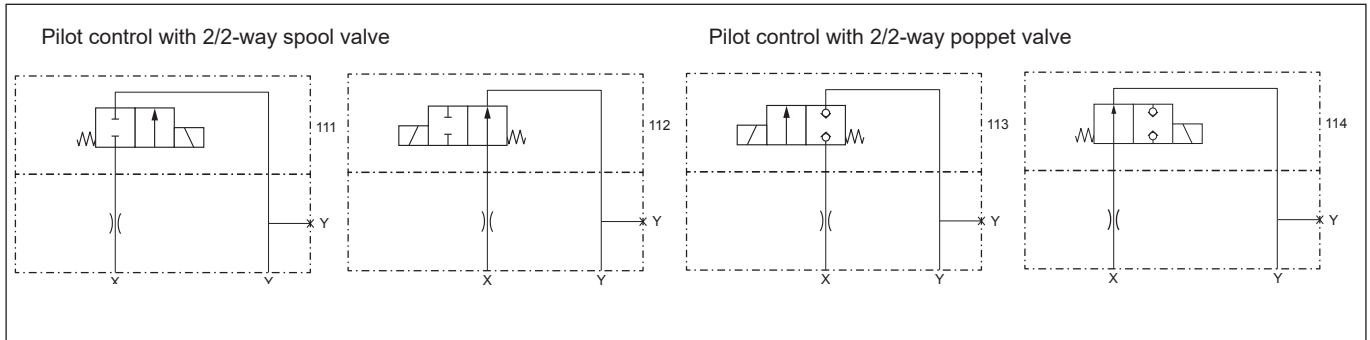


**Control cover  
for directional function**  
 •  $p_{max} = 350 \text{ bar}$

**NG 32**  
 ISO 7368



**TYPE CODE**

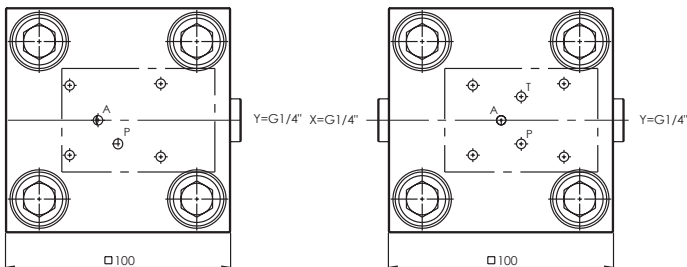
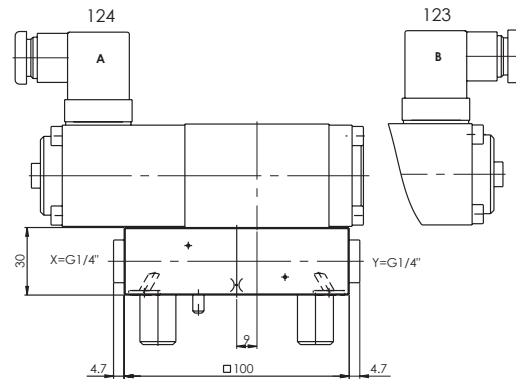
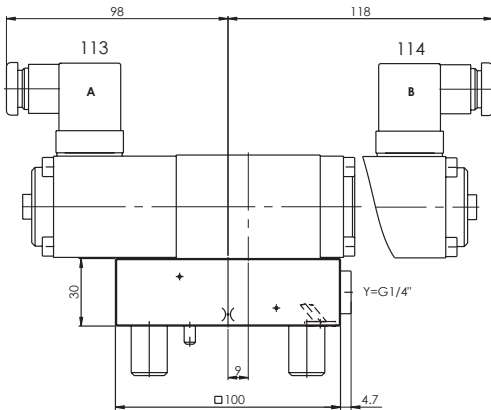
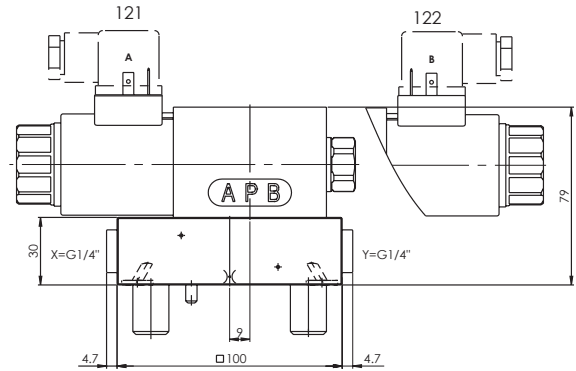
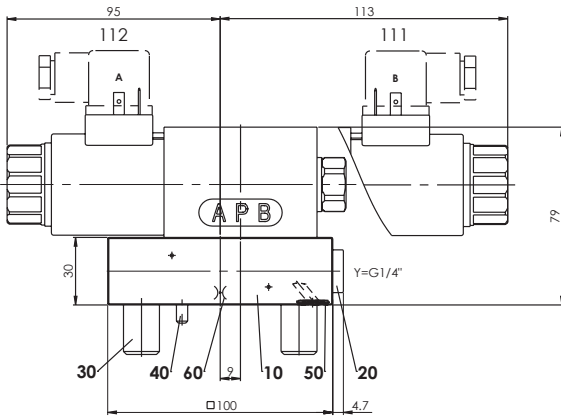
Control cover				D	32		-		/	#	
Size 32											
Pilot no. 111...124											
Solenoid type for pilot valve											
Standard	111, 112, 121, 122			M	..	/	WD				
	113, 114, 123, 124			S							
Nominal voltage $U_N$	12 VDC			G12			115 VAC				R115
	24 VDC			G24			230 VAC				R230
Orifice in cover	0.8 mm			0.8							
	1.0 mm			1.0			etc.				
Omit if without orifice											
Design-Index (Subject to change)											

**GENERAL SPECIFICATIONS**

Construction	Control cover for directional function
Mounting position	any
Installation dimension	see dimension to ISO 7368
Ambient temperature	see data sheet 2.13-1023
Fastening torque	-25...+70 °C $M_D = 190 \text{ Nm}$ (Qual. 8.8) for fixing screw

**HYDRAULIC SPECIFICATIONS**

Fluid	Mineral oil, other fluid on request
Contamination efficiency	ISO 4406:1999, class 18/16/13 (Required filtration grade $\beta_6 \dots 10 \geq 75$ ) see data sheet no. 1.0-50/2
Viscosity range	12 mm <sup>2</sup> /s to 320 mm <sup>2</sup> /s
Fluid temperature	-20...+70 °C
Operation pressure	$p_{\text{max}} = 350 \text{ bar}$

**DIMENSIONS**

**PILOT OPERATED VALVES**

Pilot operated valves:	111, 122	WDMFA06-AB2	Data sheet 1.2-59
	112, 121	WDMFA06-AB1	Data sheet 1.2-59
	113	AS22061a	Data sheet 1.11-2140
	114	AS22060b	Data sheet 1.11-2140
	123	AS32060b	Data sheet 1.11-2140
	124	AS32061a	Data sheet 1.11-2140

**PARTS LIST**

Position	Article	Description
10	063.2030 063.2017	Plate to 111, 112, 113, 114 Plate to other types
20	238.2406	Locking screw VSTI G1/4"
30	246.7135	Cylinder screw M16x35 DIN912
40	221.2470	Pin $\varnothing 5 \times 16$ DIN1481
50	160.2092	O-Ring ID 9,19x2,62
60	118.2032 118.2052 118.2031 118.2058 118.2072	Orifice M5 / 0,8 x 5 Orifice M5 / 0,9 x 5 Orifice M5 / 1,0 x 5 Orifice M5 / 1,2 x 5 Orifice M5 / 1,5 x 5