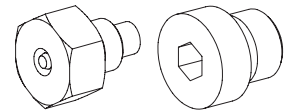


Screw plug with or without integrated manual override

DESCRIPTION

The screw plugs are screwed into solenoids or armature tubes with a M8 x 0,75 thread. Two different types are available: a normal screw plug made of zinc coated steel and a screw plug with integrated manual override made of stainless steel.

FUNCTION

When commissioning a machine or in case of a power supply failure, the function of the solenoid can be replaced by means of the manual override.

APPLICATION

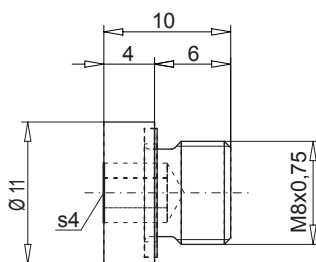
The screw plug HB0 allows air bleeding according to data sheets 1.4 and 1.11. To ensure a correct functioning, the screw plugs with integrated manual override HB4,5, HB6 and HB8,5 must be screwed into the solenoids contained on the type list only.

TYPE LIST

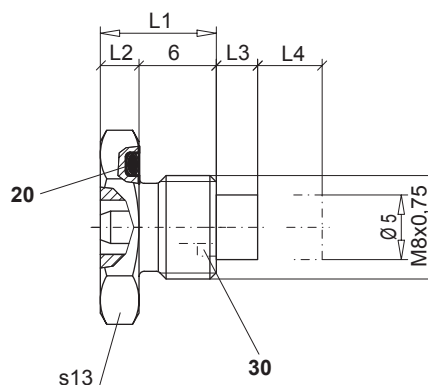
Type/Article no.	Solenoid types
Screw plug HB0 Article no. 239.2033	Can be used for all standard - solenoid types
Screw plugs with integrated manual override HB 4,5 Article no. 253.8000	SIN29V / SIS29V / PI29V / BSIIIV SIN35V / SIS35V / PI35V / BEIIV
HC 4,5 Article no. 253.8017	SMS16/50S (SDSPM18)
HB 6 Article no. 253.8001	SIN45V / SISV45 / PI45V
HB 8,5 Article no. 253.8002	SIN60V / SIS60V / PI60V
HC 8,5 Article no. 253.8022	PMS31/72S (QN/QDPPM42)

DIMENSIONS

Screw plug HB0



Screw plug with integrated manual override



	L1	L2	L3	L4
HB 4,5	9	3	3,2	5
HB 6	10,5	4,5	3,7	6,5
HB 8,5	13	7	4,2	9
HC 4,5	9	3	9,7	5
HC 8,5	13	7	12,7	9

PARTS LIST

Position	Article	Description
20	160.6076	O-ring ID 7,65 x 1,78 (FKM)
30	160.6026	O-ring ID 2,60 x 1,20 (FKM)