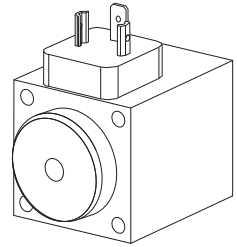


Solenoid SIN45V
to VDE 0580
Plug plate to ISO 4400 / DIN 43650
Protection class IP65

DESCRIPTION

The SIN45V is a switching solenoid. Its design corresponds to VDE standard 0580. The steel housing has a zinc coated finish as standard. Static pressure tightness is 160 bars. All o-rings are Viton. The solenoids are fixed to the valve with four screws. Depending on the intended use, the solenoid can be supplied with a plug screw, or with integrated manual override. The connector plate corresponds to ISO 4400 and DIN 43650.

FUNCTION

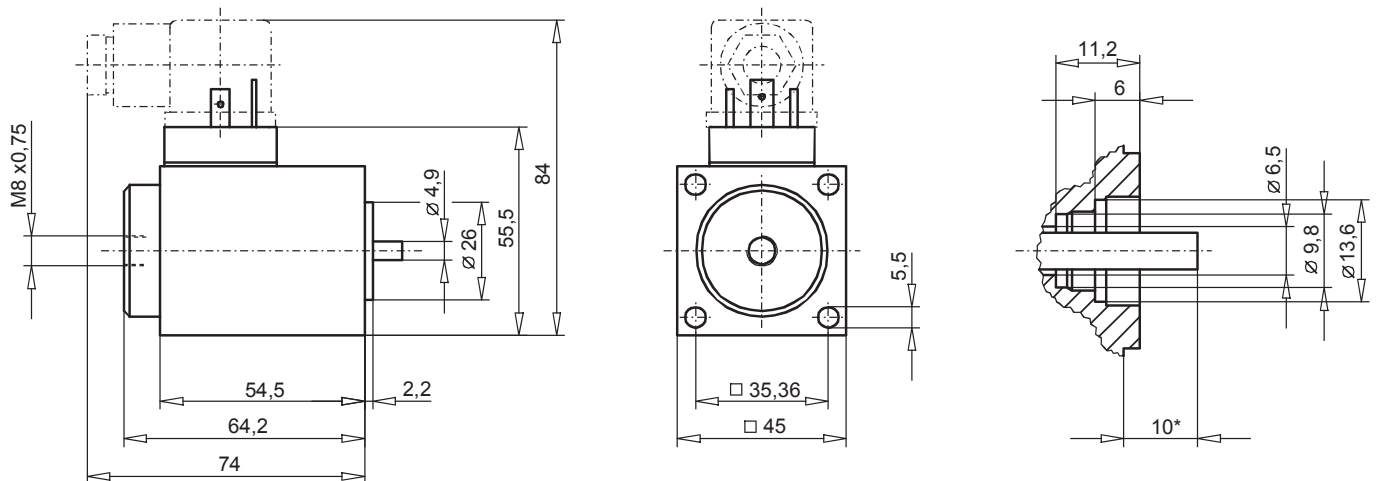
When the solenoid is energised with the specified nominal voltage, the armature moves from the starting position of its stroke ($s=5,5$ mm) to the end position ($s=0$ mm). The switching time is essentially dependent on the application. The power-stroke characteristics are designed to suit the requirements of hydraulic valves. AC versions include an electronic rectifier integrated into the connector plate. In this way maximum performance is assured.

APPLICATION

Essential for hydraulic directional and poppet valves. Because of the risk of overheating, the solenoid must never be used separately. The length of the fixing screws depends on the base material of the body. An o-ring is used for the valve seal. Information on screws and o-rings will be found in the data sheets relating to the valves concerned. Before changing the plug screw or the screw with integrated manual override, care must be taken to ensure that the solenoid is not under pressure. Risk of injury! The maximum operating pressure is determined by the valve actually used.

TYPE CODE

		SI N 45 V - <input type="checkbox"/> - <input type="checkbox"/> # <input type="checkbox"/>	
Solenoid			
Industrial execution			
Normal			
Square 45 mm housing			
Solenoid completely potted			
Nominal voltage U_N	12 VDC	<input type="checkbox"/> G12	
	24 VDC	<input type="checkbox"/> G24	
	115 VAC	<input type="checkbox"/> R115 *	
	230 VAC	<input type="checkbox"/> R230 *	
AC= 50 to 60 Hz			
* Rectifier integrated in the plug plate			
Other nominal voltages and nominal power on request			
with mounted screw plug (data sheet 1.1-300)		<input type="checkbox"/> HB0	
with mounted manual override (data sheet 1.1-300)		<input type="checkbox"/> HB6	
with mounted special manual override (data sheet 1.1-310)		<input type="checkbox"/> H...	
Design-Index (Subject to change)			

DIMENSIONS


* Solenoid energised ($s=0$ mm)

CHARACTERISTICS

Static pressure tightness	160 bar (seal diameter of valve max. 26 mm)
Coil winding insulation class	H
Connection/Power supply	Over device plug connection to ISO 4400/DIN 43650, (2P+E), other connections on request.
Protection class EN 60 529	IP65
Relative duty factor	100 %
Reference temperature	50 °C
Seal	Viton, other on request
Fluid	Mineral oil, other fluid on request
Switching cycles	15 000/h
Mounting screws	4 x M5 (Quality 8.8)
Housing	Zinc coated steel housing, other surface treatments on request.

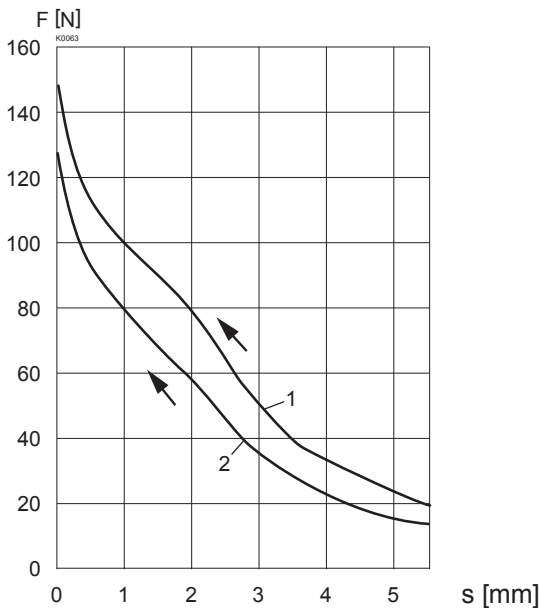
		DC	AC
Totale stroke	(mm)	5,5	5,5
Working stroke	(mm)	2,5	2,5
Nominal power	(W)	30	
	(VA)		35
Armature weight	(kg)	0,055	0,055
Solenoid weight	(kg)	0,76	0,76
Voltage range	(VDC)	10-250	
	(VAC)		40-250*

* For AC voltages below 40 VAC DC solenoids plus rectifier plugs are available.
 21 VDC to 24 VAC
 32 VDC to 36 VAC

	12VDC	24VDC	115VAC	230VAC
Nominal resistance (Ω)	5	21,8	445	1'400
Number of windings (-)	770	1'560	7'000	13'000
Inductivity (mH)	16	72	-	-

PERFORMANCE

F = f (s) Force-stroke characteristics



1: U = 100 % U_N Reference temperature = 20 °C (30W)
 2: U = 90 % U_N Reference temperature = 50 °C
 Solenoid in operating temperature (19W)

The values refer to U_N = 24 VDC.

With other nominal voltages deviations can occur.

For curve 2 the solenoids has been mounted on a body □ 46x64.

ACCESSOIRES

Plug HB0	* Article No. 239.2033
Plug with integrated manual override HB6	* Article No. 253.8001
	* acc. data sheet 1.1-300
Special manual override	see data sheet 1.1-310
Plug grey	Article No. 219.2001
Plug black	Article No. 219.2002
Rectifier plug grey	Article No. 219.2105
Rectifier plug black	Article No. 219.2106

Technical explanation see data sheet 1.1-400